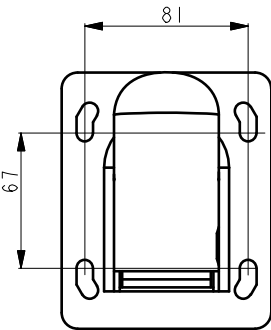
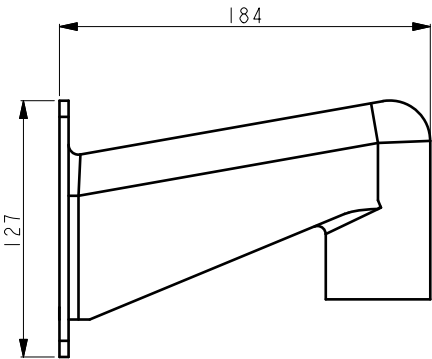
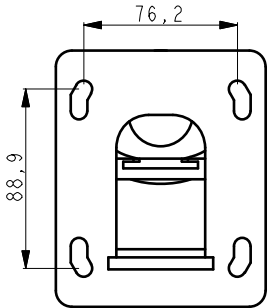
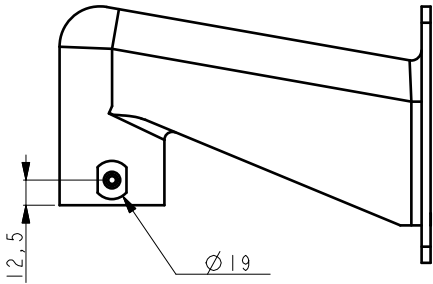
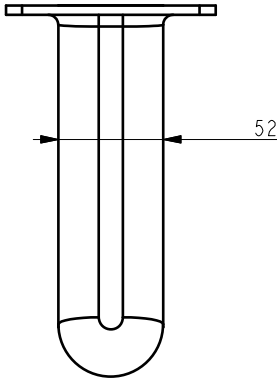
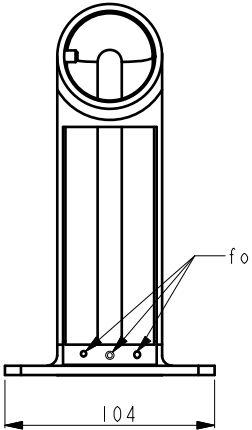


G-Cam/EBWM-003



GEUTEBRÜCK

Im Nassen 7-9 | D-53578 Windhagen | Tel. +49 (0)2645 137-0 | Fax-999
E-mail: info@geutebrueck.com Web: www.geutebrueck.com

Product
G-Cam/EBWM-003
Order No. 5.04732

Description
Wall mounting bracket

Processed by
P. Lenzgen

Date
31.08.2015

Passing on and duplication of this document, utilization and communication of its contents are not permitted, unless conceded. Violation obliges to compensation. All rights reserved.