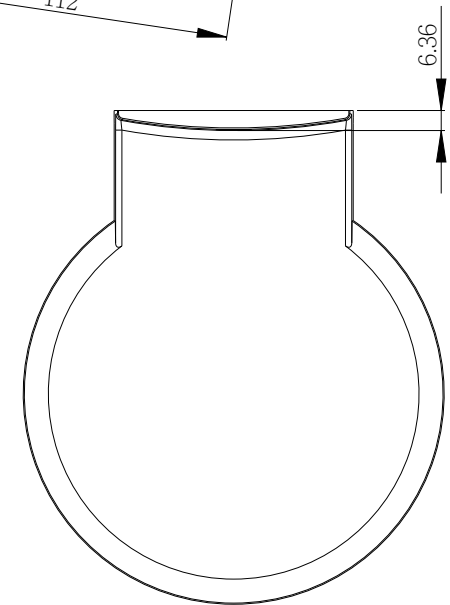
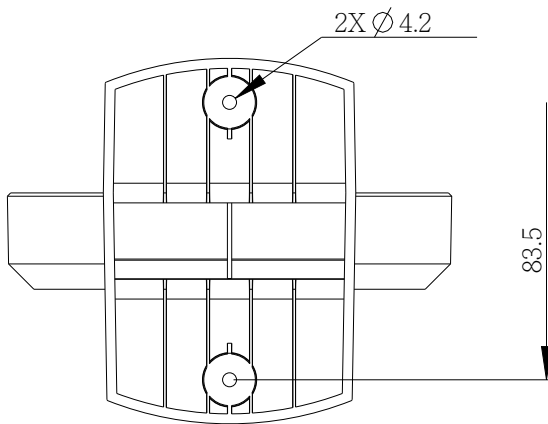
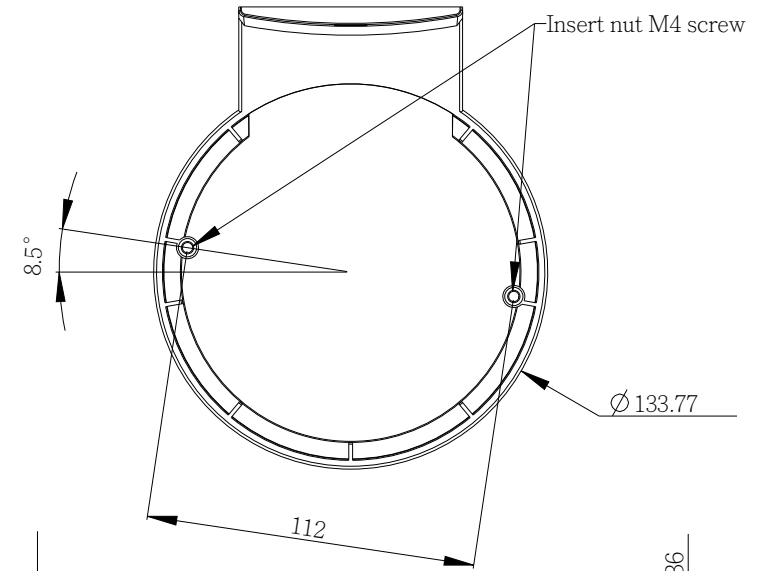
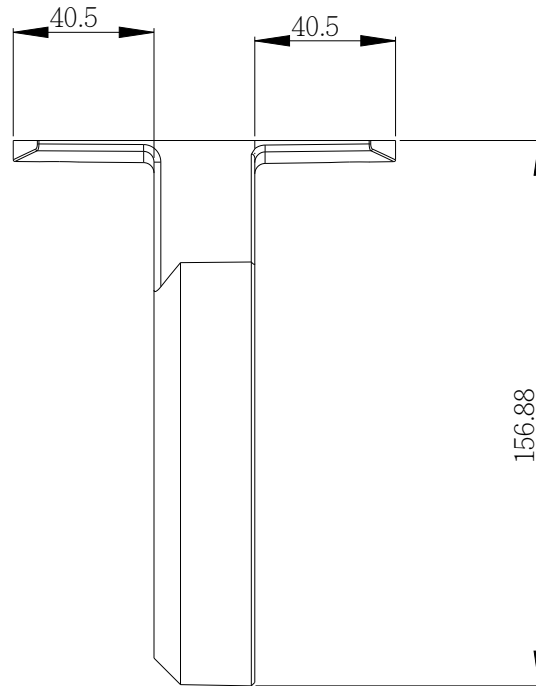
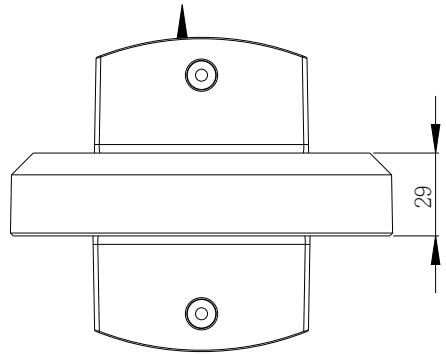


# G-Cam/EBWM-007



**GEUTEBRÜCK**

Im Nassen 7-9 | D-53578 Windhagen | Tel. +49 (0)2645 137-0 | Fax-999  
E-mail: info@geutebrueck.com Web: www.geutebrueck.com

Product

G-Cam/EBWM-007  
Order No. 5.04742

Description

Wall mount bracket for use with fix domes and hemispherical cameras out of the E3 camera series.  
Recommended only for indoor usage.

Processed by

P. Lenzgen

Date

16.01.2017

Passing on and duplication of this document, utilization and communication of its contents are not permitted, unless conceded. Violation obliges to compensation. All rights reserved.