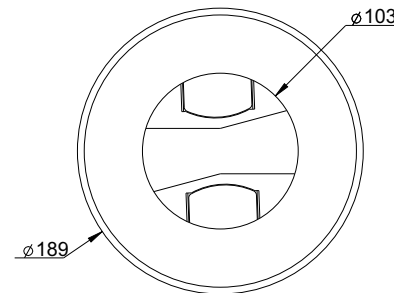
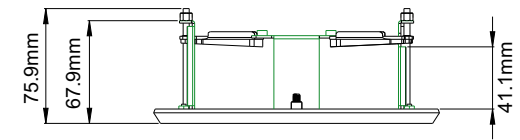
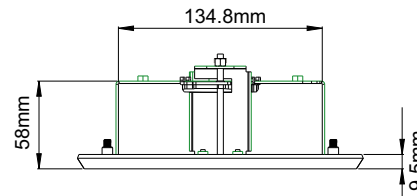
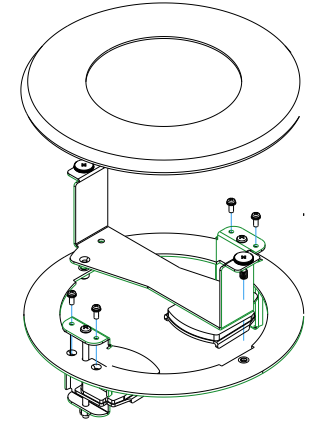
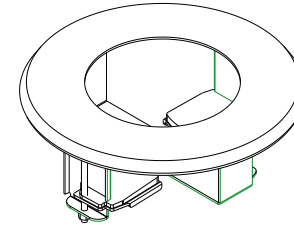
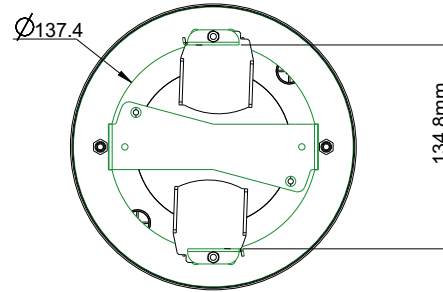


G-Cam/EBFC-005



Recommended drill cutout:
 $\varnothing 160\text{mm}$

GEUTEBRÜCK

Im Nassen 7-9 | D-53578 Windhagen | Tel. +49 (0)2645 137-0 | Fax-999
 E-mail: info@geutebrueck.com Web: www.geutebrueck.com

Product

G-Cam/EBFC-005
 Order No. 5.04736

Description

False ceiling bracket
 for fix dome

Processed by

P. Lenzgen

Date

29.10.2015

Passing on and duplication of this document, utilization and communication of its contents are not permitted, unless conceded. Violation obliges to compensation. All rights reserved.