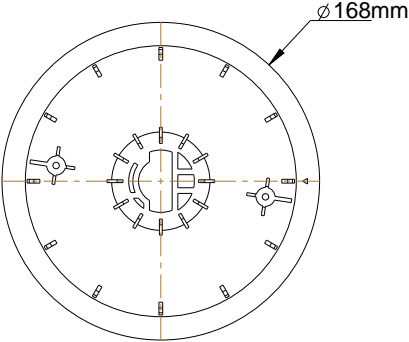
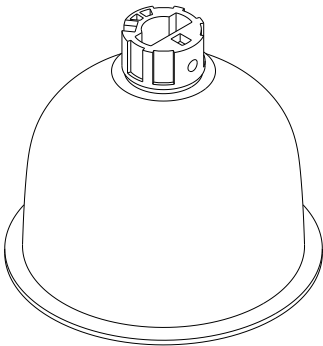
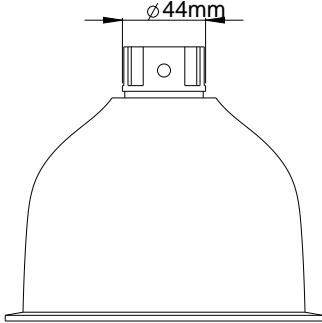
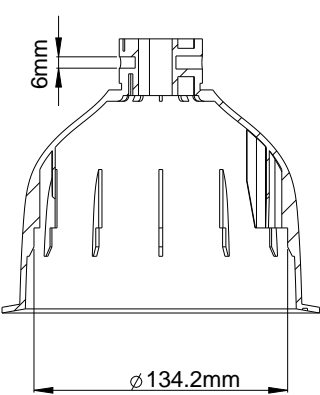
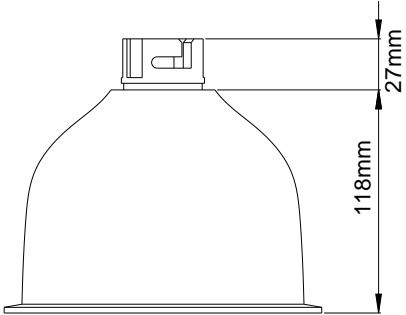


G-Cam/EBDA-003



GEUTEBRÜCK

Im Nassen 7-9 | D-53578 Windhagen | Tel. +49 (0)2645 137-0 | Fax-999
E-mail:info@geutebrueck.com Web:www.geutebrueck.com

Product
G-Cam/EBDA-003
Order No. 5.04738

Description
Mounting adapter

Processed by
P. Lenzgen

Date
12.05.2016

Passing on and duplication of this document, utilization and communication of its contents are not permitted, unless conceded. Violation obliges to compensation. All rights reserved.