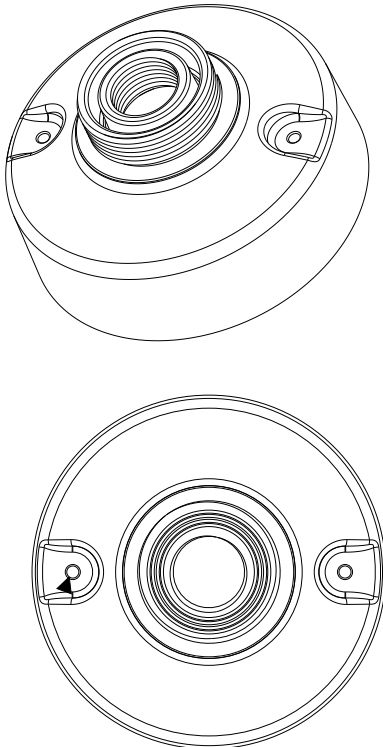
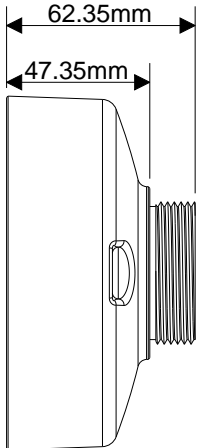
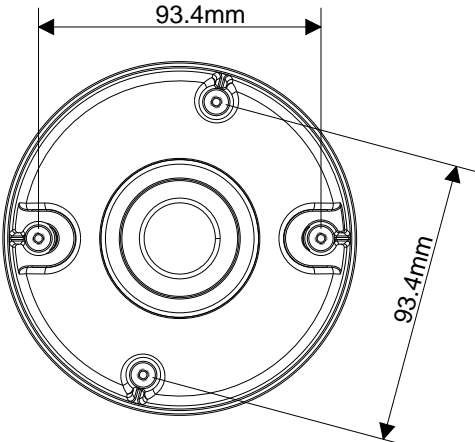
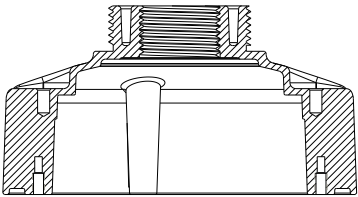


G-Cam/EBDA-002



GEUTEBRÜCK

Im Nassen 7-9 | D-53578 Windhagen | Tel. +49 (0)2645 137-0 | Fax-999
 E-mail: info@geutebrueck.com Web: www.geutebrueck.com

Product	Description	Processed by	Date	Passing on and duplication of this document, utilization and communication of its contents are not permitted, unless conceded. Violation obliges to compensation. All rights reserved.
G-Cam/EBDA-002 Order No. 5.04741	Mounting adapter	P. Lenzgen	12.05.2016	