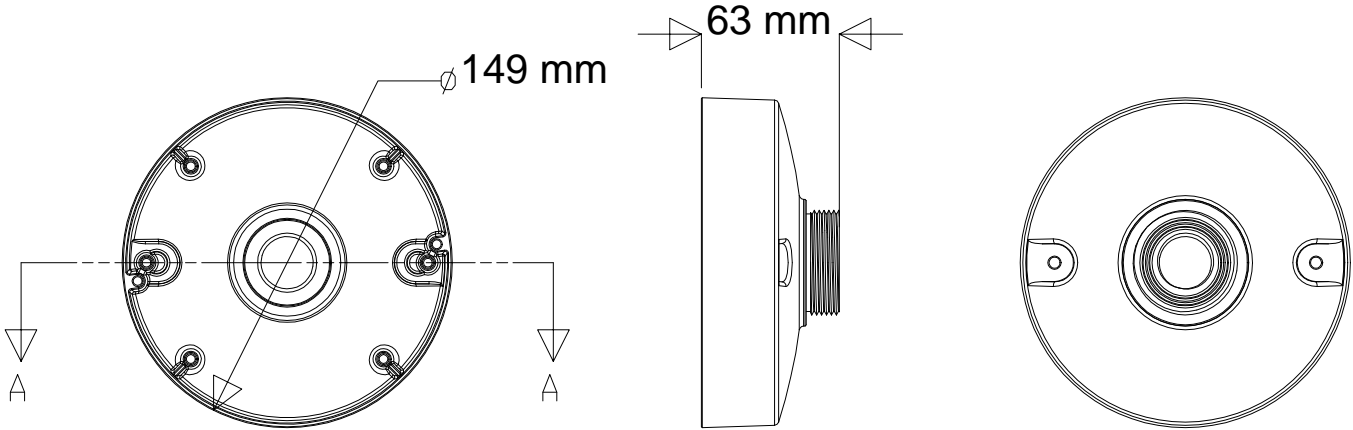
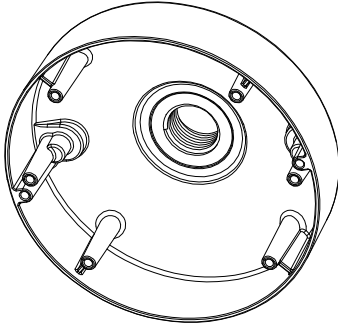
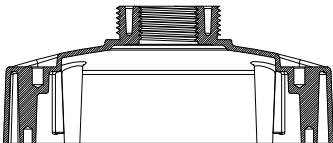


# G-Cam/EBDA-001



**GEUTEBRÜCK**

Im Nassen 7-9 | D-53578 Windhagen | Tel. +49 (0)2645 137-0 | Fax-999  
 E-mail: info@geutebrueck.com Web: www.geutebrueck.com

Product
G-Cam/EBDA-001 Order No. 5.04731

Description
Mounting adapter

Processed by
P. Lenzgen

Date
31.08.2015

Passing on and duplication of this document, utilization and communication of its contents are not permitted, unless conceded. Violation obliges to compensation. All rights reserved.