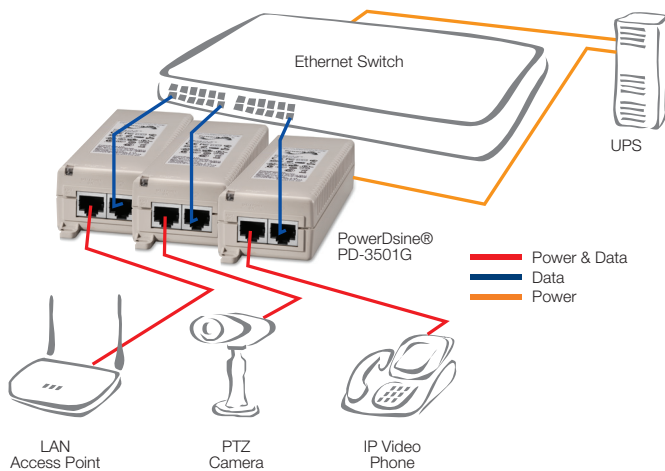


PowerDsine 3501G

Single-port Gigabit PoE Midspan, 802.3af Compliant



Overview

PowerDsine's 3501G Power over Ethernet (PoE) single port Midspan (PoE injector) offers a compact and cost effective, fully IEEE 802.3af compliant solution for IP phones, WLAN access points, network cameras and other IP terminal installations.

The 3501G PoE midspan offers compact, affordable and reliable power over standard Ethernet cables, leaving network infrastructure completely unaltered.

With the midspan's plug-and-play installation, they are easily and cost effectively implemented leveraging an existing Ethernet infrastructure while at the same time providing the assurance of a future proof network.

PD-3501G Features

- Safe & reliable power over existing Ethernet infrastructure
- Stackable and compact
- Cisco and legacy PoE support*
- Plug-and-play installation
- Guaranteed uptime

* Dongles required

PD-3501G Specifications

| | |
|-------------------------------------|--|
| No. of Ports | 1 |
| Pass Through Data Rates | 10/100/1000 Mbps |
| Power over Ethernet Output | Pin Assignment and Polarity: 4/5 (+), 7/8 (-) Output Power Voltage: 48Vdc User Port Power: 15.4W (Guaranteed) |
| Input Power Requirements | AC Input Voltage: 90 to 264 Vac AC Input Current: 0.5A @110-240Vac AC Frequency: 47 to 63 Hz |
| Dimensions | 53 mm (W) x 32.5 mm (H) x 140 mm (L) 2.09 in. x 1.28 in. x 5.5 in |
| Weight | .44 lbs (200g) |
| Indicator | User Indicator: Channel Power (Green) |
| Connectors | Shielded RJ-45, EIA 568A and 568B |
| Environmental Conditions | Operating Ambient Temperature: 32° to 104°F (0 to 40°C) Operating Humidity: Maximum 90%, Non-condensing Storage Temperature: -4° to 158°F (-20° to 70°C) Storage Humidity: Maximum 95%, Non-condensing Operating Altitude: -1000 to 10,000 ft. (-304.8 to 3048 m) |
| Reliability | MTBF: 100,000 hrs. @25°C |
| Thermal Rating | 13 BTU/Hr (@240VAC) |
| Warranty | 1-year |
| Regulatory | IEEE 802.3af (PoE), RoHS Compliant, WEEE Compliant, CE |
| Electromagnetic Emission & Immunity | FCC Part 15, Class B EN 55022 Class B EN 55024, VCCI |
| Safety Approvals | UL/cUL Per EN 60950-1 GS Mark Per IEC 60950-1 |

Ordering Information

| Part Number | Name | Description |
|-------------|------------------|-------------------------|
| PD-3501G/AC | PowerDsine 3501G | 1-port 10/100/1000 Mbps |

For More Information

North America

PowerDsineUSA@microsemi.com

EMEA (Europe, Middle East, Africa)

PowerDsine@microsemi.com

LATAM (Latin America)

PowerDsineLATAM@microsemi.com

APAC (Asia Pacific)

PowerDsineAPAC@microsemi.com



Microsemi.

Power Matters.

Microsemi Corporation (NASDAQ:MSCC) offers the industry's most comprehensive portfolio of semiconductor and networking technology. PowerDsine® PoE Systems, a Microsemi brand, is the thought leader in energy efficient, high power PoE technology. Learn more at microsemi.com/powerdsine

©2011 Microsemi Corporation. All rights reserved. Microsemi and the Microsemi logo are trademarks of Microsemi Corporation. All other trademarks and service marks are the property of their respective owners.

MSC-PD-DS-3501G-11.2011